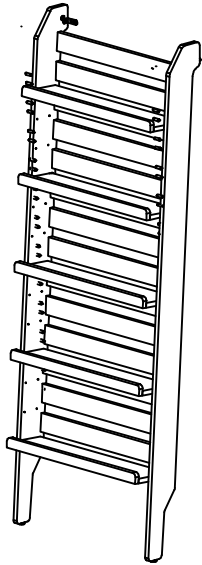
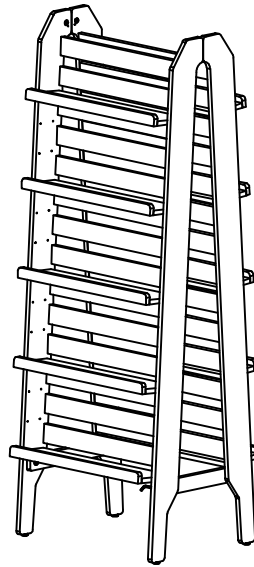


Assembly Guide

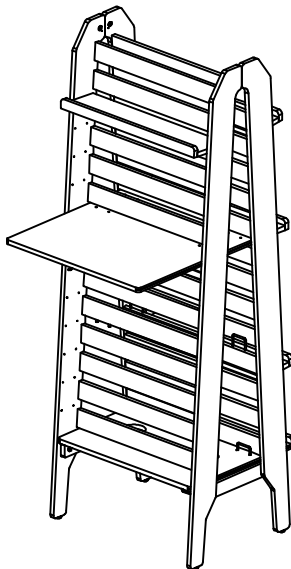
Showalot & ShowITall



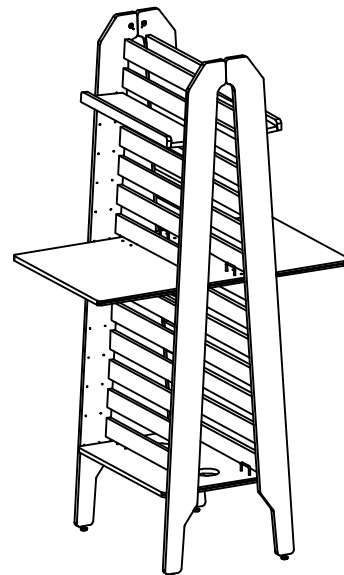
E4466 / E4467
Wall model



E4515 / E4516
Freestanding model



E4517 / E4518
Freestanding single
sided model

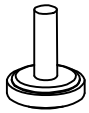

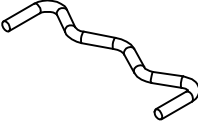

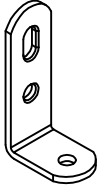




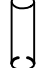

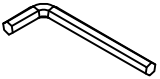
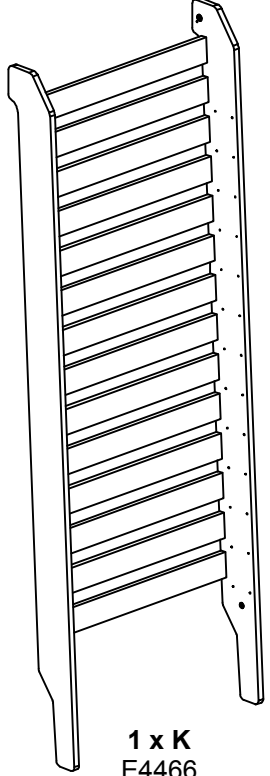

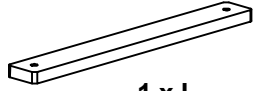
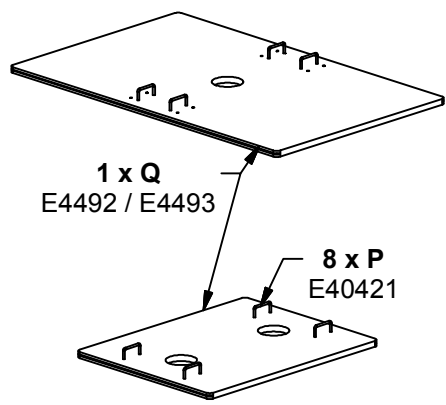
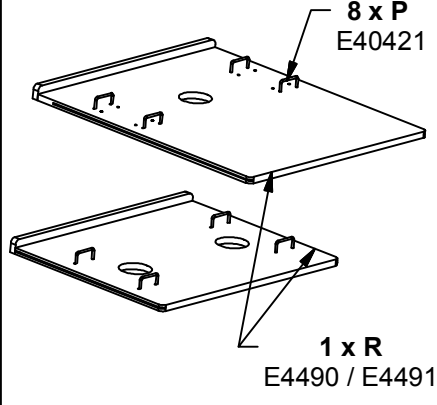


E4519 / E4520
Freestanding
double sided model

2018.05

First check the contents to make sure that nothing is missing. Sort out the screws and fittings as shown.
Assemble your furniture step by step, as shown in the illustrations.

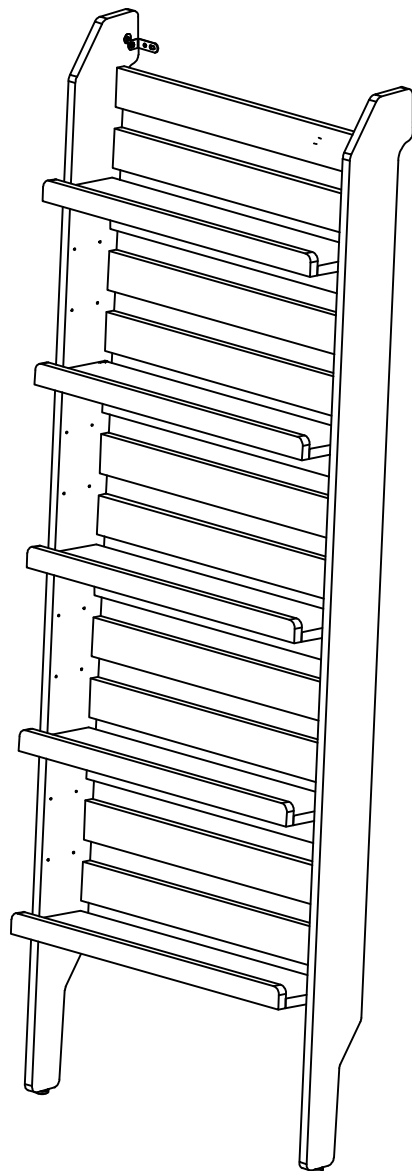
2 x **E4466 / E4467** Wall model = **E4515 / E4516** Freestanding model

<div style="display: flex; justify-content: space-around; align-items: flex-start;"> <div style="text-align: center;">  <p>2 x A E40416</p> </div> <div style="text-align: center;">  <p>2 x B E40418 (assembled by supplier)</p> </div> <div style="text-align: center;">  <p>10 x C E40431</p> </div> </div>	<p>Not used in E4515 / E4516 Freestanding</p> <div style="display: flex; justify-content: space-around; align-items: center;"> <div style="text-align: center;">  <p>2 x F E9900027</p> </div> <div style="text-align: center;">  <p>2 x E E40425</p> </div> </div>
<p>Not used in E4466 / E4467 wall model</p> <div style="display: flex; justify-content: space-around; align-items: flex-start;"> <div style="text-align: center;">  <p>2 x D E40415</p> </div> <div style="text-align: center;">  <p>1 x G E9900024</p> </div> <div style="text-align: center;">  <p>1 x H E9900025</p> </div> <div style="text-align: center;">  <p>2 x I E404110</p> </div> <div style="text-align: center;">  <p>2 x O E9900031</p> </div> <div style="text-align: center;">  <p>2 x J E9750 (assembled by supplier)</p> </div> <div style="text-align: center;">  <p>1 x N E448502</p> </div> </div>	
<div style="display: flex; justify-content: space-around; align-items: center;"> <div style="text-align: center;">  <p>1 x K E4466</p> </div> <div style="text-align: center;">  <p>5 x M E44662</p> </div> </div>	<p>Not used in E4466 / E4467 wall model</p> <div style="text-align: center;">  <p>1 x L E9950066</p> </div>
<div style="display: flex; justify-content: space-between;"> <div style="width: 45%;"> <p>E4492 / E4493 Desk Plate for ShowITall Double s Not used in: E4466 / E4467 / 4515 / E4516 E4417 / E4418</p> </div> <div style="width: 45%;"> <p>E4490 / E4491 Desk Plate for Showitall single s Not used in: E4466 / E4467 / 4515 / E4516 E4519 / E4520</p> </div> </div> <div style="display: flex; justify-content: space-around; align-items: center; margin-top: 20px;"> <div style="text-align: center;">  <p>1 x Q E4492 / E4493</p> <p>8 x P E40421</p> </div> <div style="text-align: center;">  <p>8 x P E40421</p> <p>1 x R E4490 / E4491</p> </div> </div>	

Assembly Guide

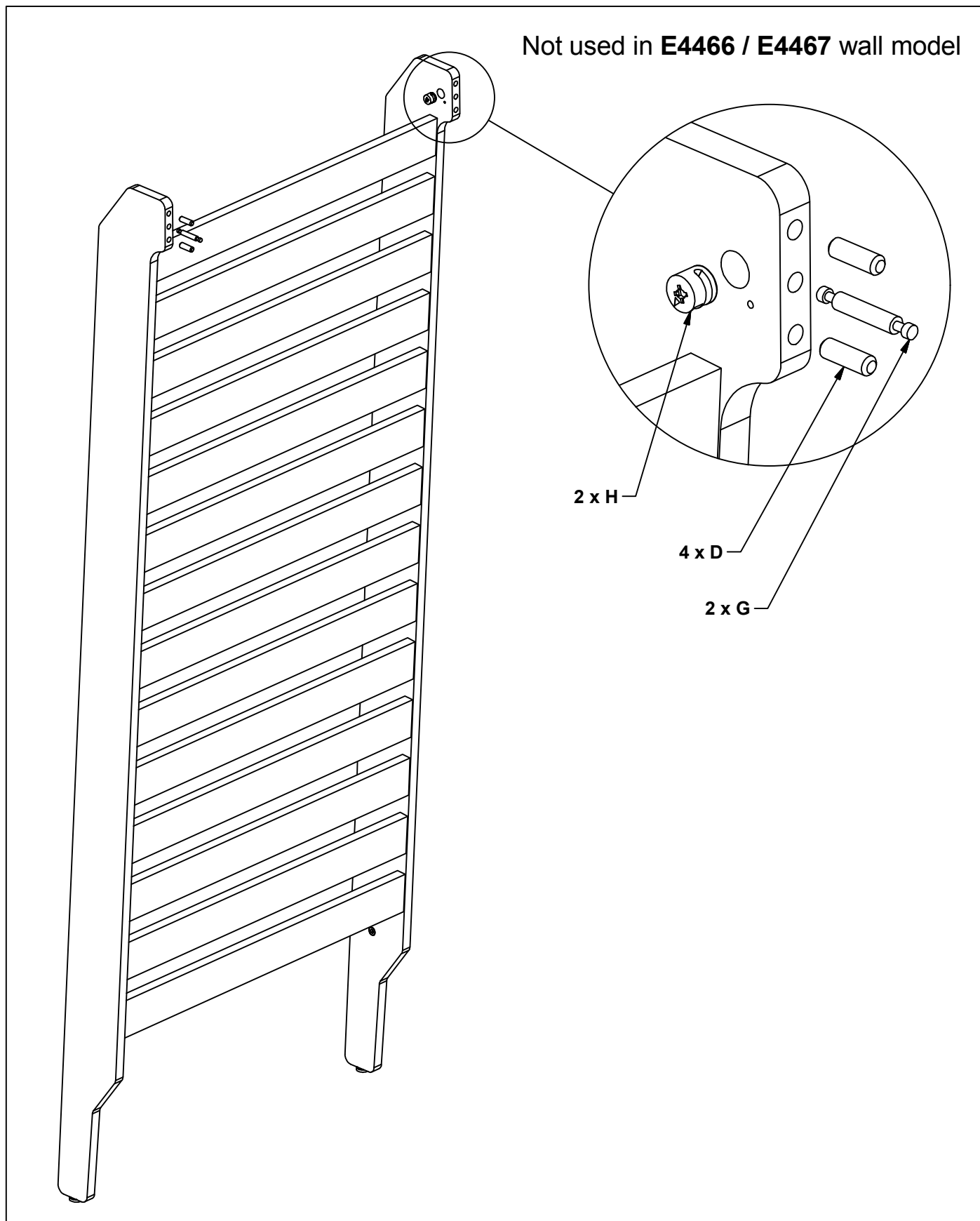
E4466 / E4467

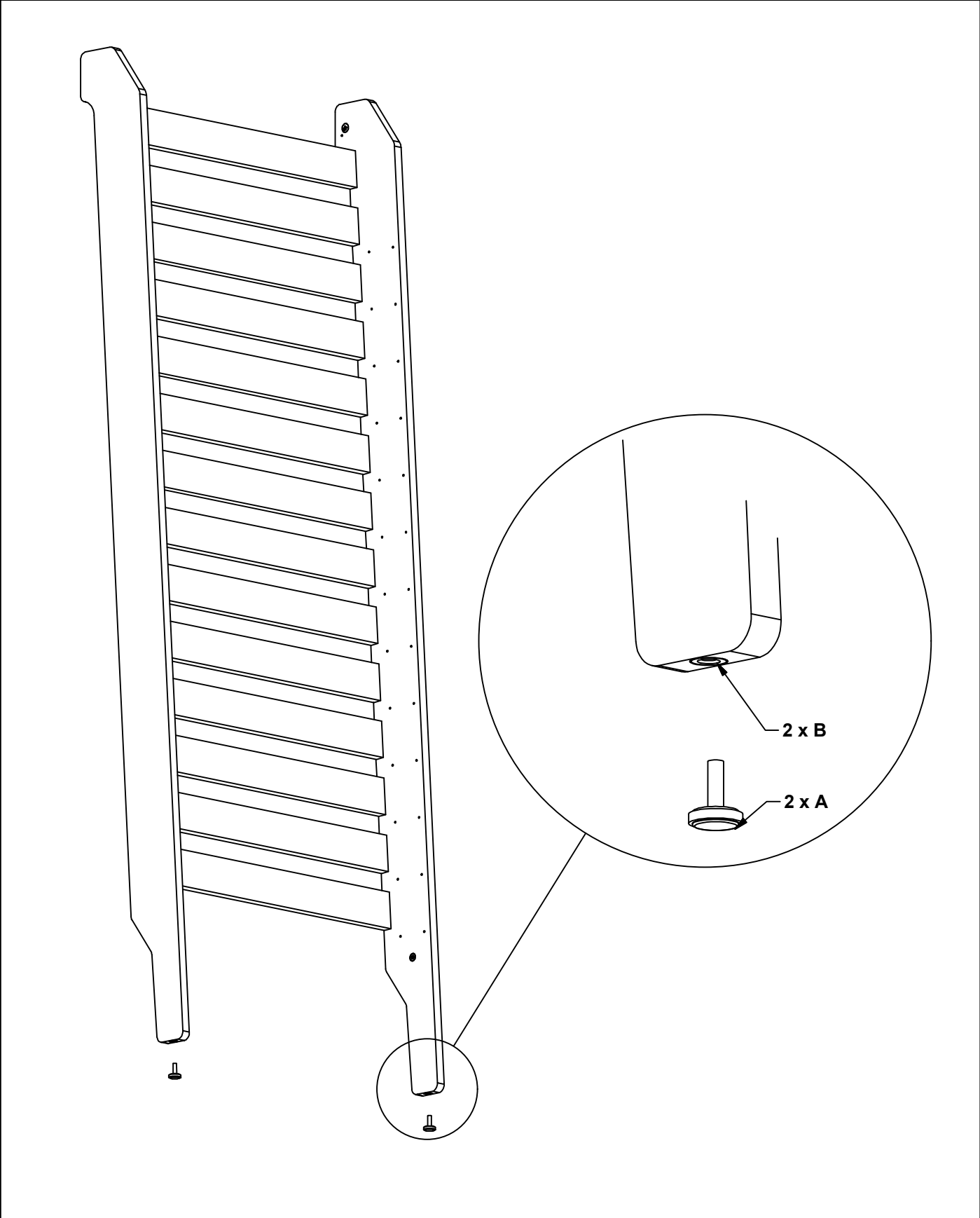
Showalot maxi

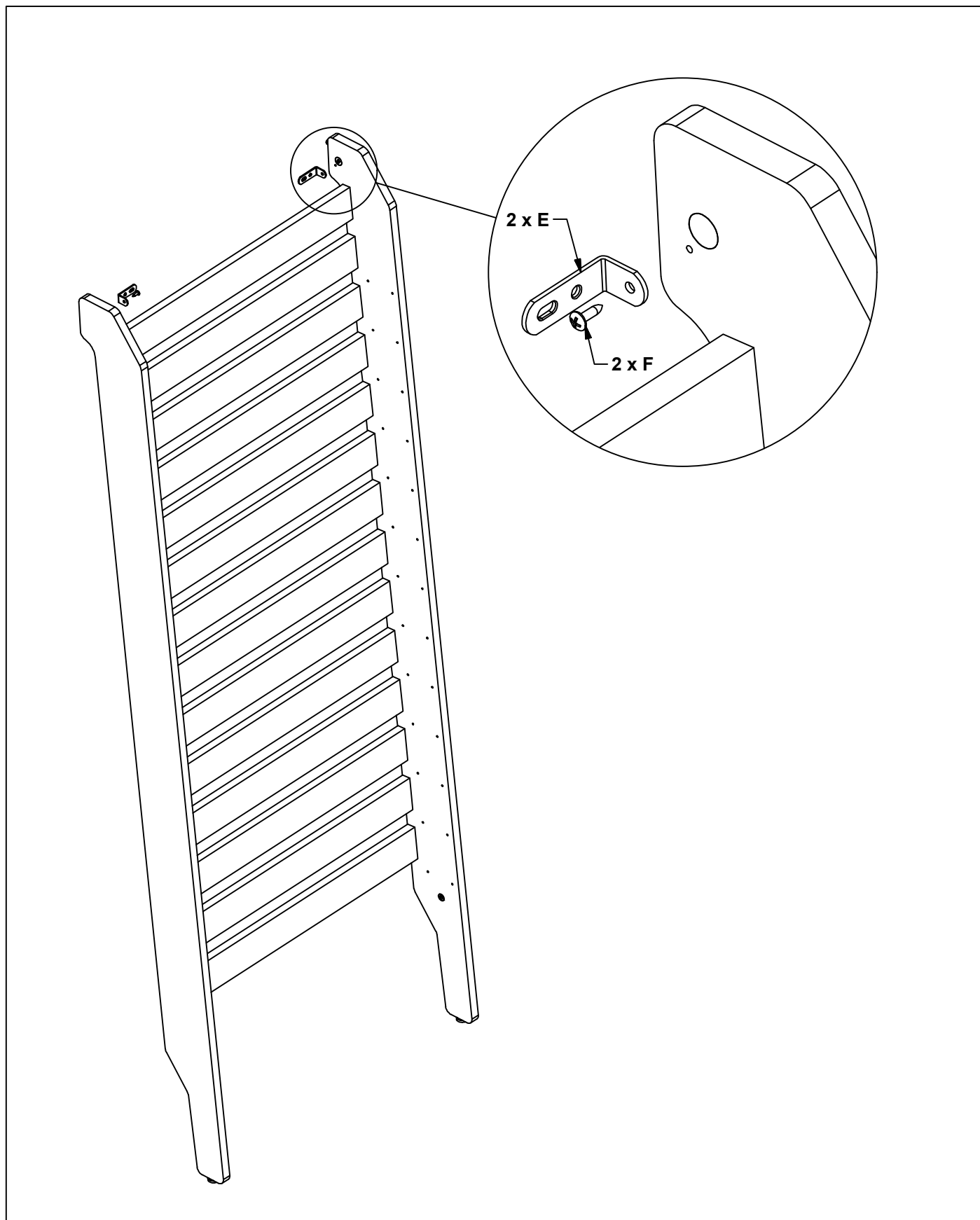


2018.02

First check the contents to make sure that nothing is missing. Sort out the screws and fittings as shown.
Assemble your furniture step by step, as shown in the illustrations.

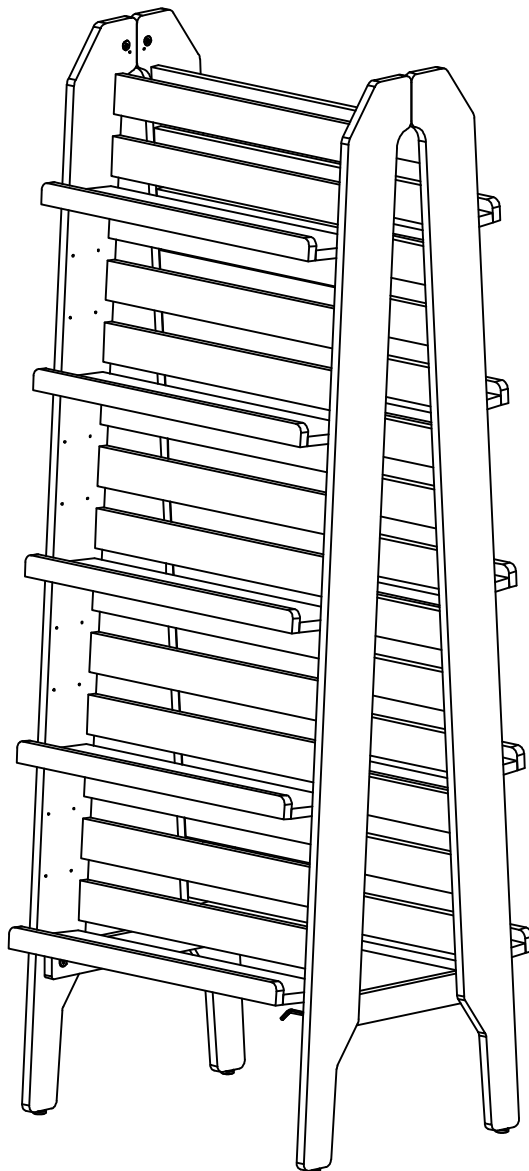






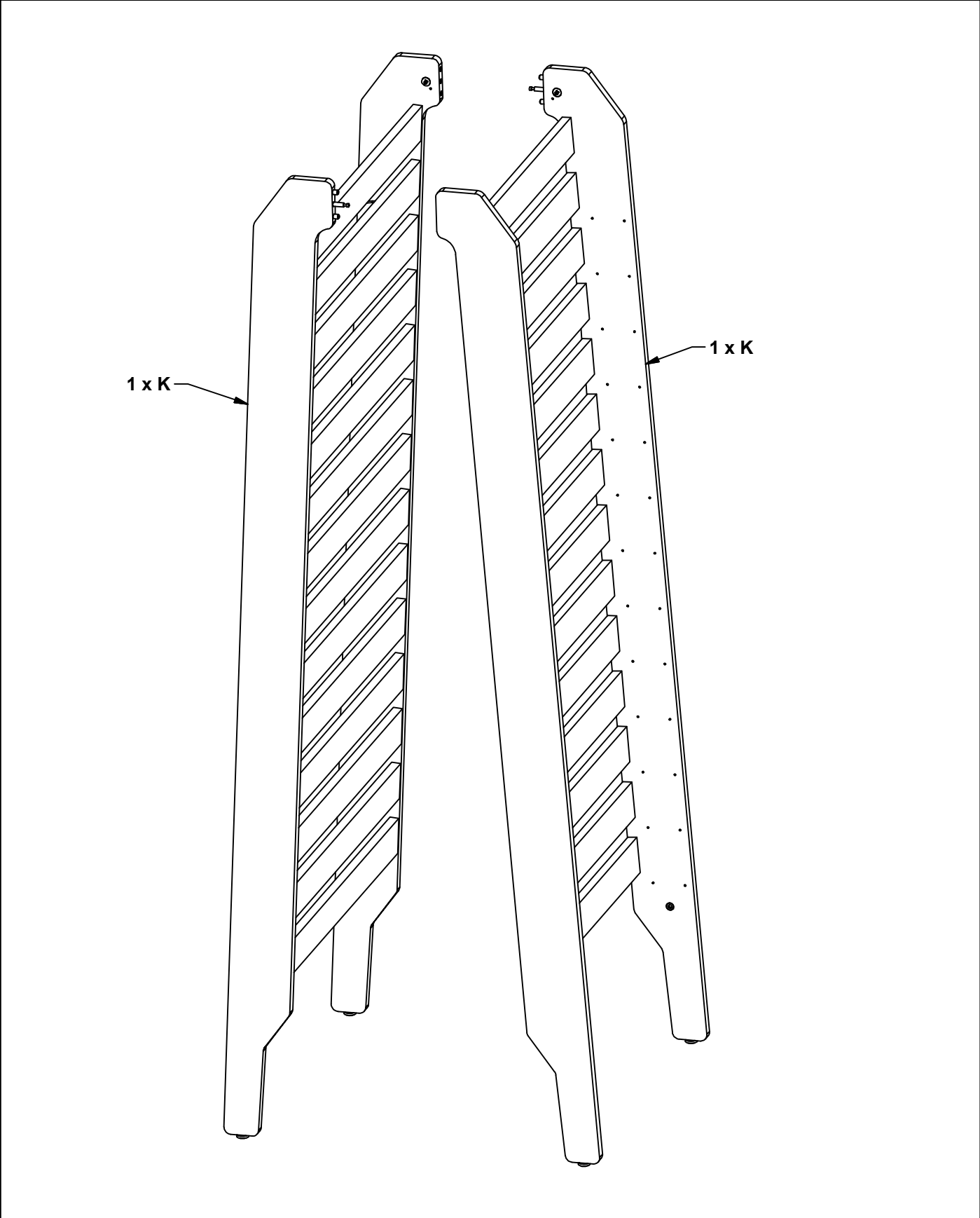
Assembly Guide

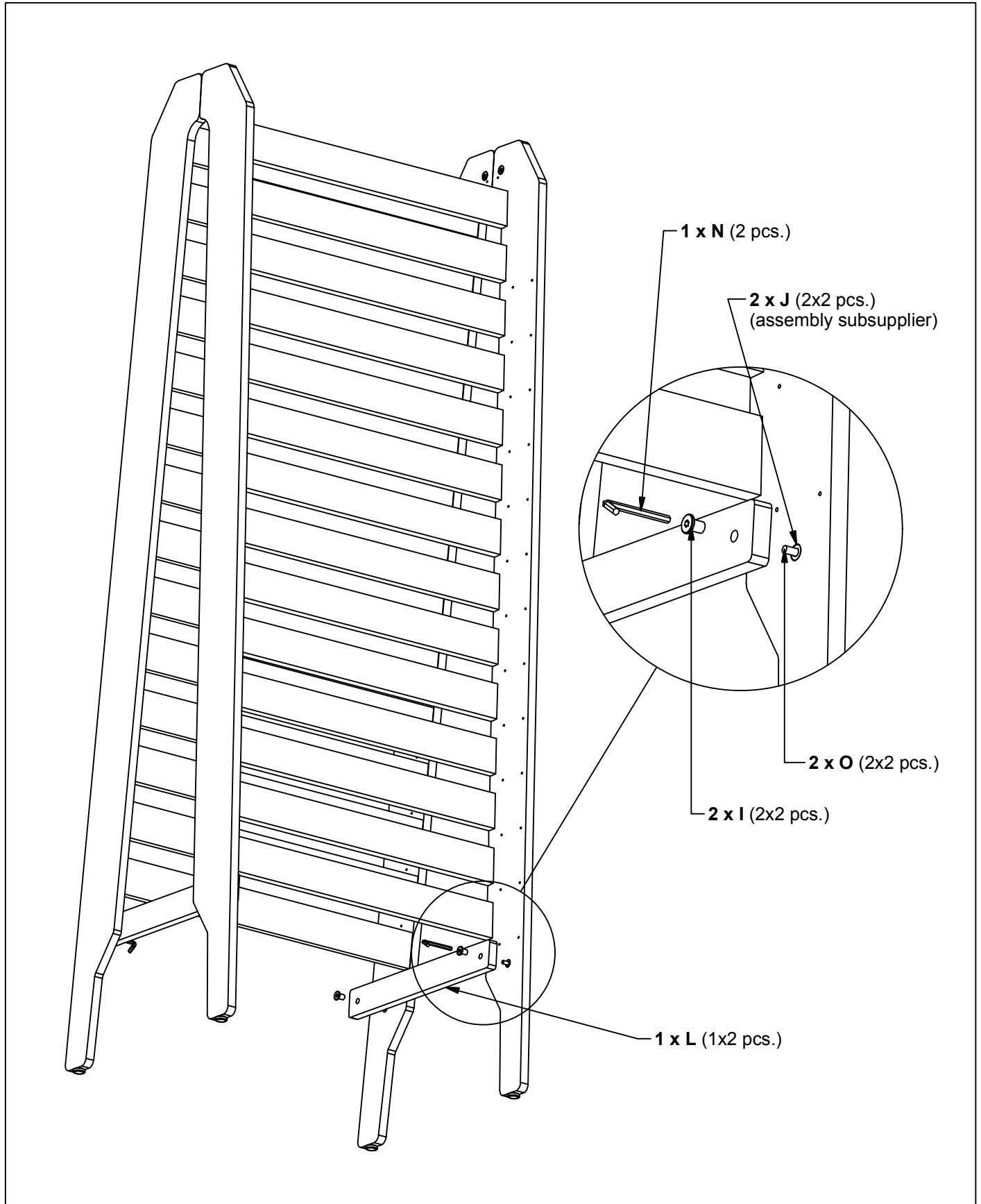
E4515 / E4516 Showalot maxi

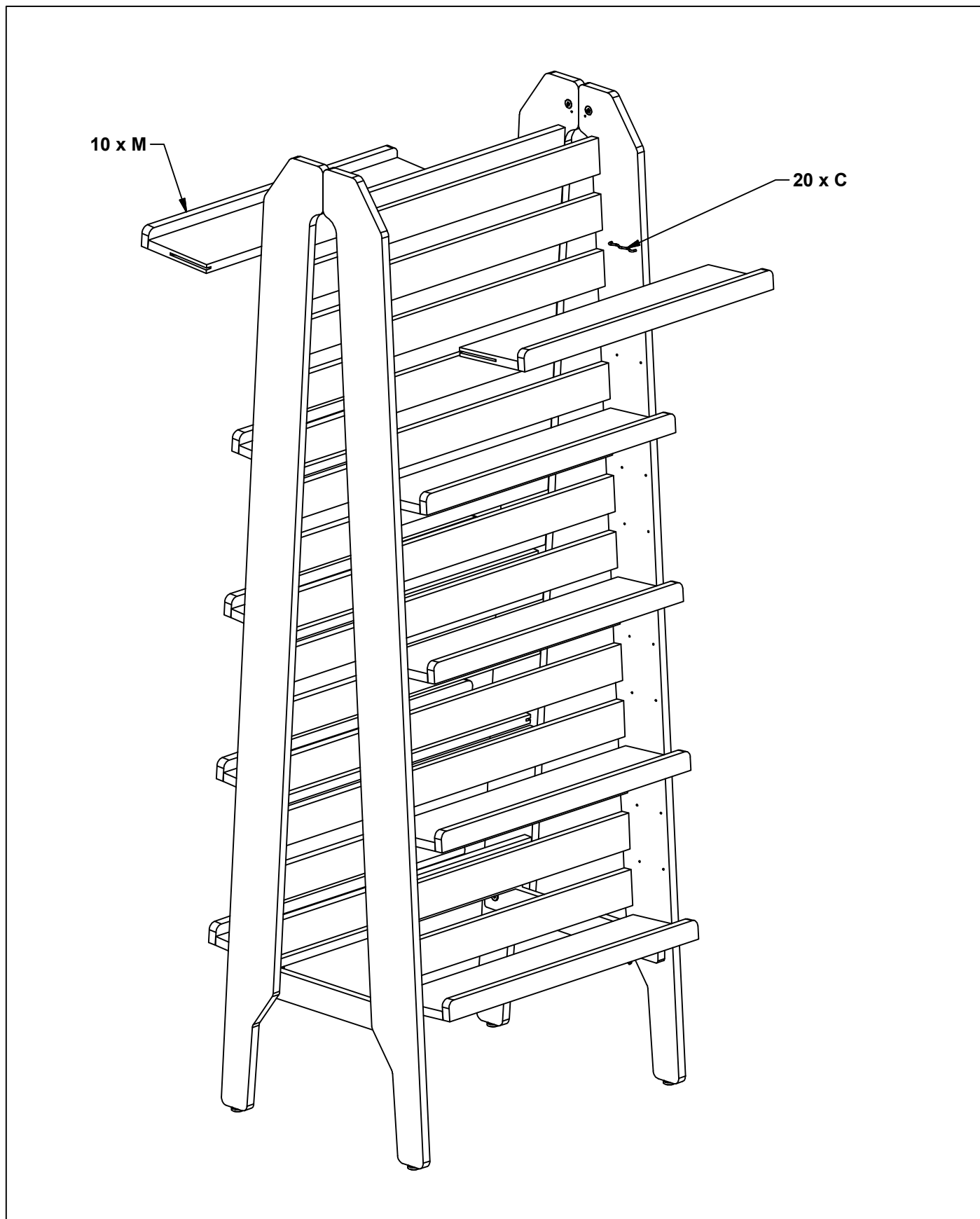


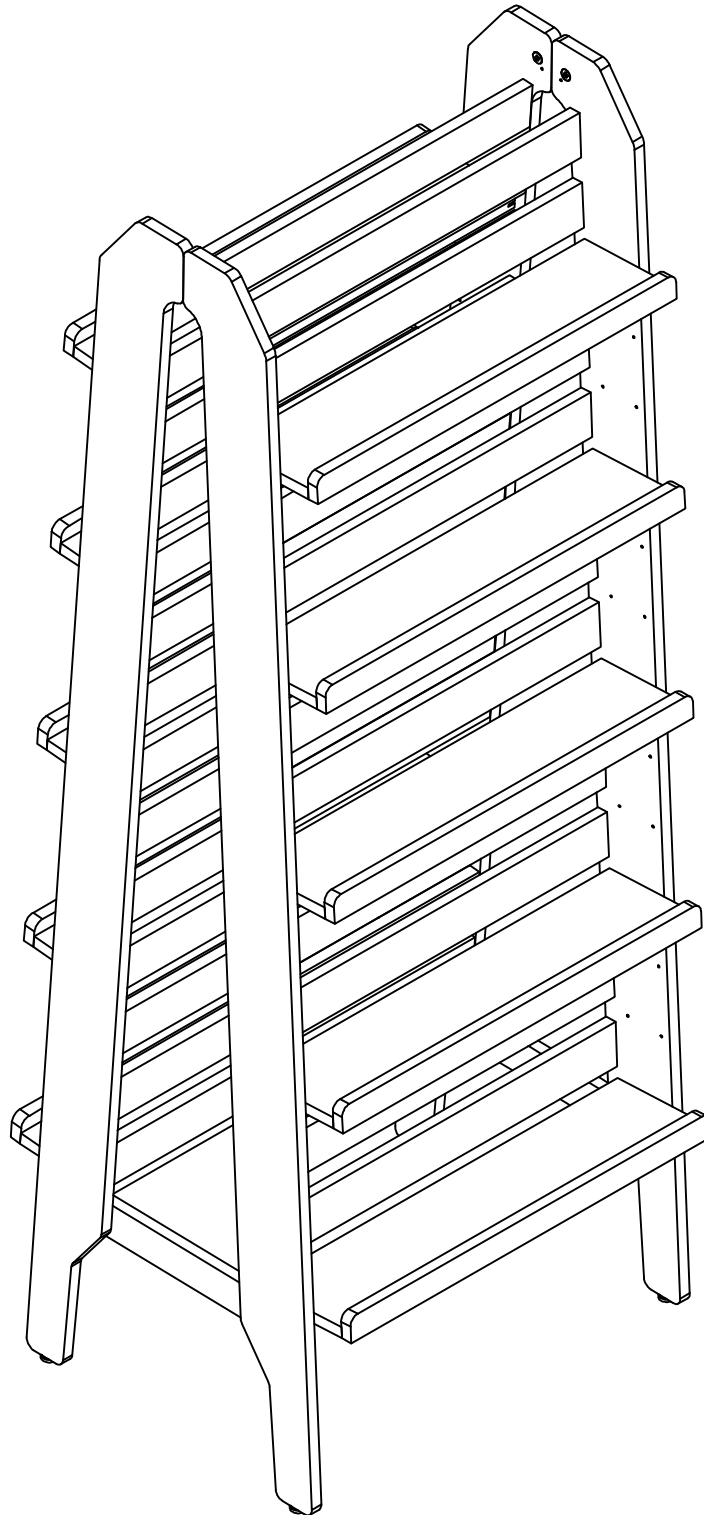
2018.02

First check the contents to make sure that nothing is missing. Sort out the screws and fittings as shown.
Assemble your furniture step by step, as shown in the illustrations.





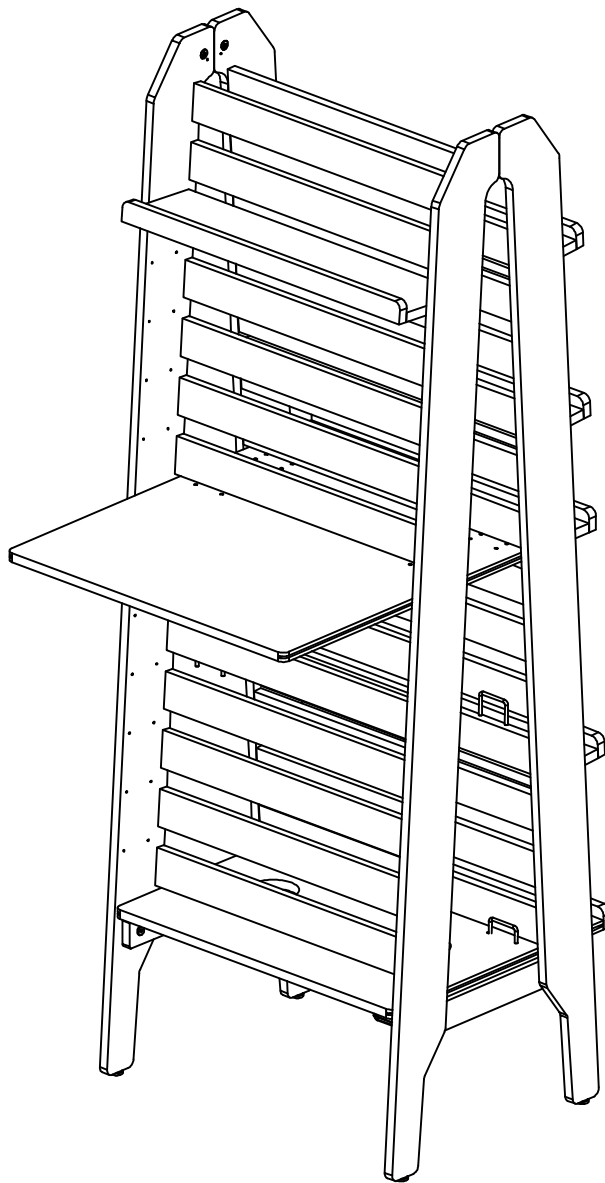




Assembly Guide

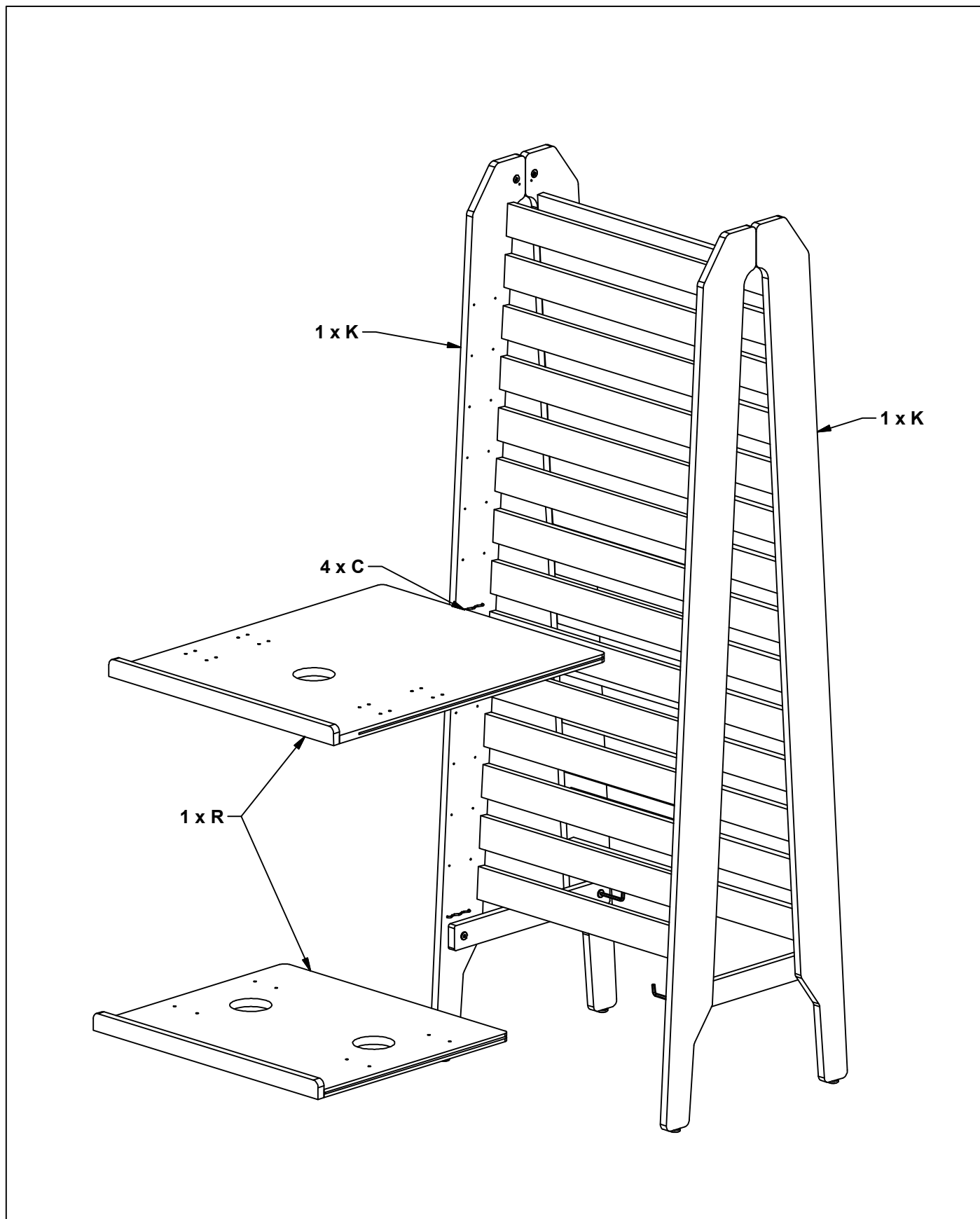
E4517 / E4518

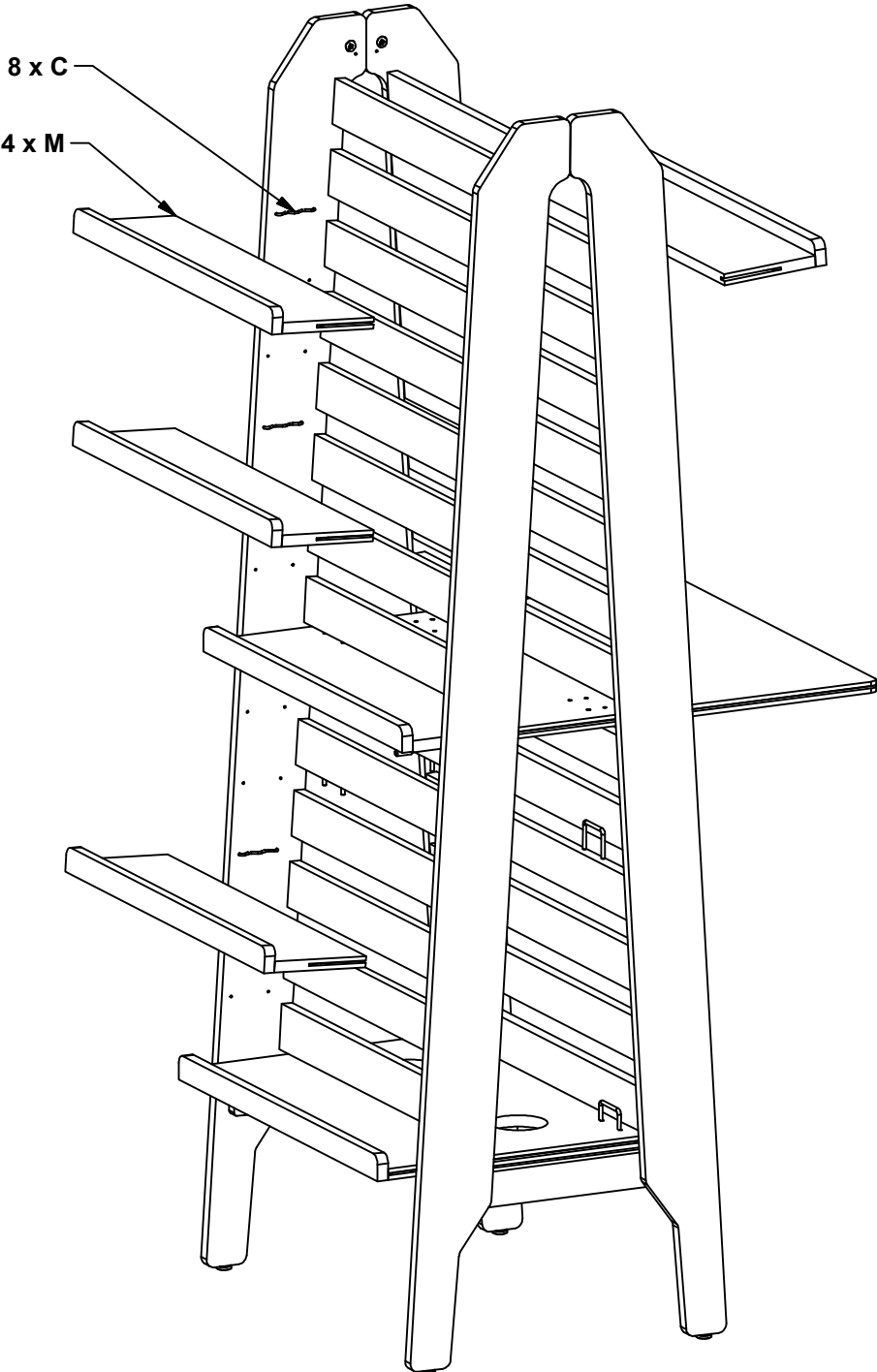
ShowITall single sided



2018.02

First check the contents to make sure that nothing is missing. Sort out the screws and fittings as shown.
Assemble your furniture step by step, as shown in the illustrations.

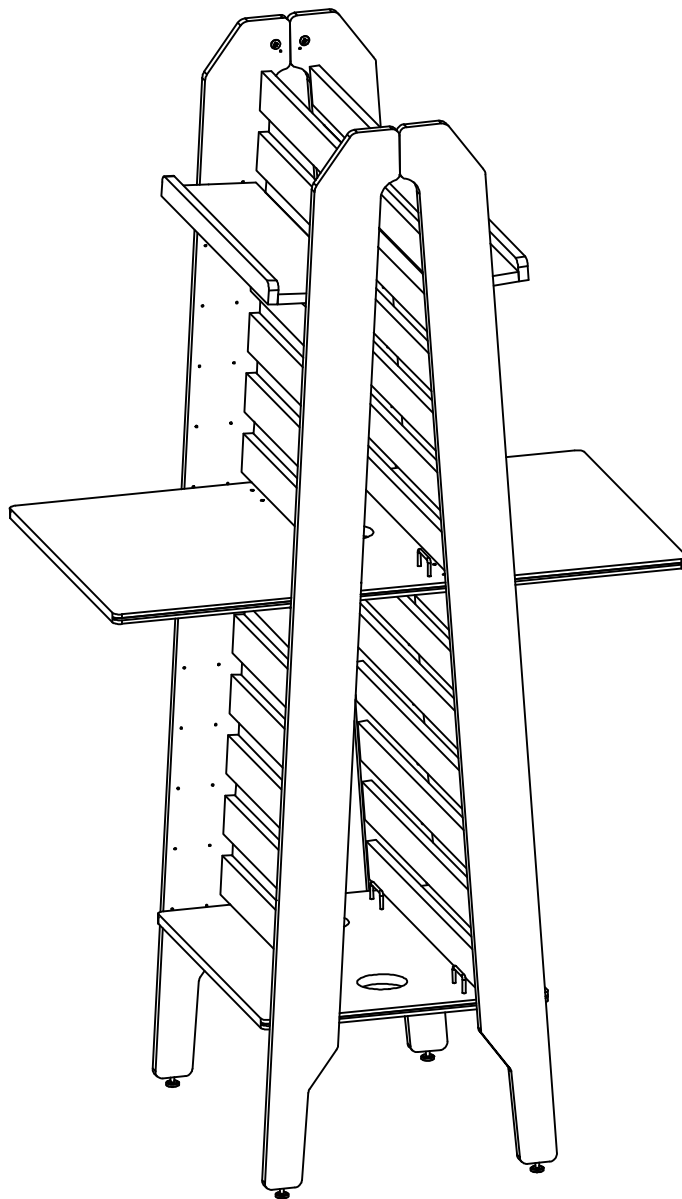




Assembly Guide

E4519 / E4520

ShowITall double sided



2018.02

First check the contents to make sure that nothing is missing. Sort out the screws and fittings as shown.
Assemble your furniture step by step, as shown in the illustrations.

